

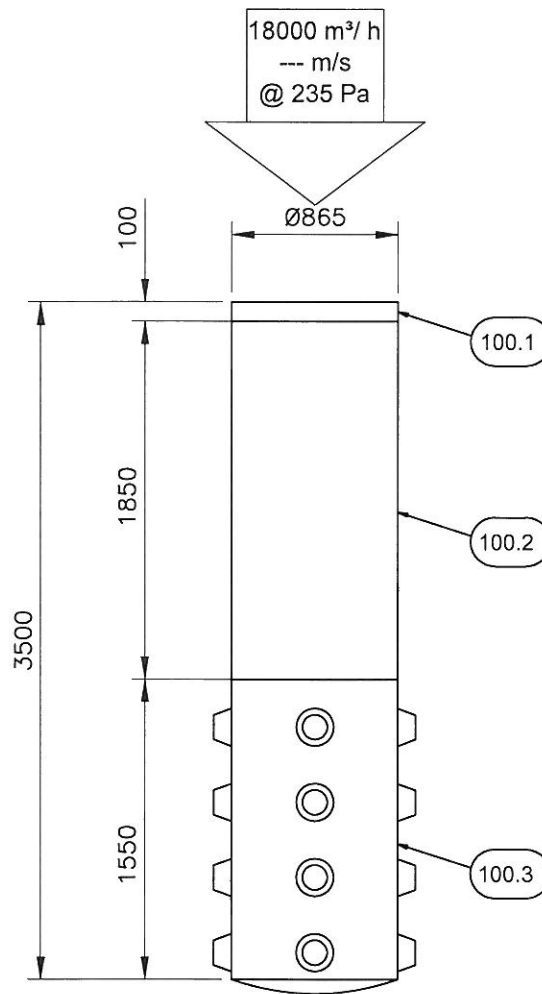
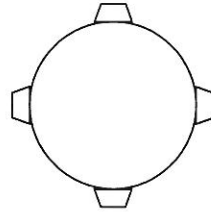
DUCT FROM BELOW

Round FabricAir® Combi 85

Duct Color: FabricAir Dark Grey 3003


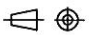
Flowmodel: JetFlow, four nozzles Size 5 each at 3, 6, 9 and 12 o'clock

Suspension: None, except bulb reinforcement on inlet edge.



NOTES:

TYPICAL FOR ALL FABRIC DUCT, FLOWMODEL
CLOCK POSITION IS FROM INLET SIDE OF DUCT,
LOOKING IN DIRECTION OF AIRFLOW.

 Islandsvej 3 DK-4681 Herfølge Tlf. +45 56 65 21 10 Fax. +45 56 65 99 07 This document is the property of FabricAir A/S Subject is confidential. Do not reproduce, copy or show to any third party without the permission from FabricAir A/S	Drawing title ALINDAIR		Int	Date 20-05-2013
	Project YASAM MÜHENDISLIK		Scale NTS	Size A1
	FabricAir rep FabricAir		Revision	Revision date
	Projection 	Drawing no 1465272-100		

Официальный дистрибьютор в России - Компания ООО «Альфа Инвест Инжиниринг»

109052, г.Москва, ул. Нижегородская, д. 50

Сайт: www.ai-engineering.ru Эл. почта: info@ai-engineering.ru Тел.: +7-(499) 390-79-31

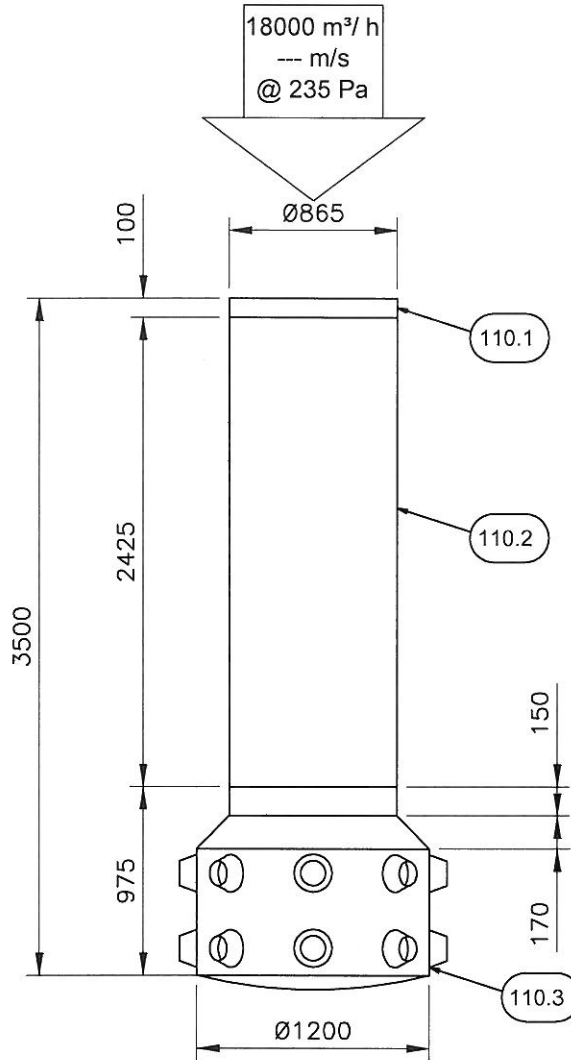
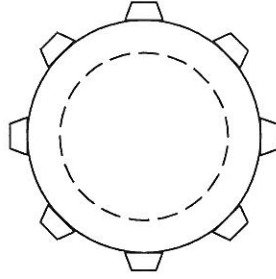
DUCT FROM BELOW

Round FabricAir® Combi 85

Duct Color: FabricAir Blue 3001

Flowmodel: JetFlow, two nozzles Size 5 each
at 1:30, 3:00, 4:30, 6:00, 7:30, 9:00, 10:30
and 12 o'clock

Suspension: None, except bulb
reinforcement on inlet edge.



NOTES:

TYPICAL FOR ALL FABRIC DUCT, FLOWMODEL
CLOCK POSITION IS FROM INLET SIDE OF DUCT,
LOOKING IN DIRECTION OF AIRFLOW.

 Islandsvej 3 DK-4681 Herfølge Tlf +45 56 65 21 10 Fax +45 56 65 99 07 This document is the property of FabricAir A/S Subject is confidential. Do not reproduce, copy or show to any third party without the permission from FabricAir A/S	Drawing title		Int	Date
	ALINDAIR			20-05-2013
	Project: YASAM MÜHENDISLIK		Scale	Size
	FabricAir rep: FabricAir		NTS	A1
Projection 		Revision	Revision date	
Drawing no		1465272-110		

Официальный дистрибьютор в России - Компания ООО «Альфа Инвест Инжиниринг»

109052, г.Москва, ул. Нижегородская, д. 50

Сайт: www.ai-engineering.ru Эл. почта: info@ai-engineering.ru Тел.: +7-(499) 390-79-31

DUCT FROM BELOW

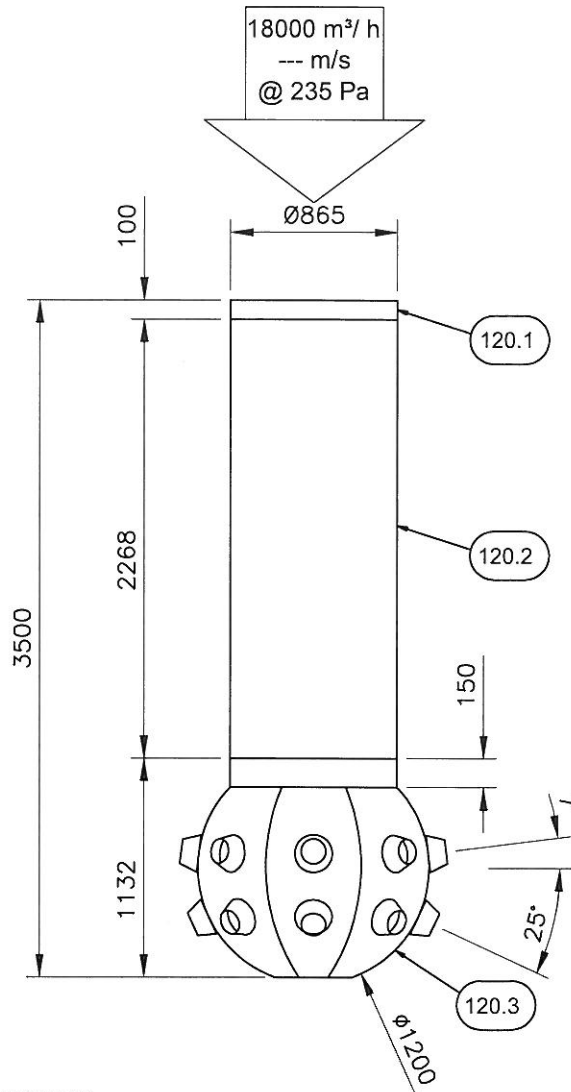
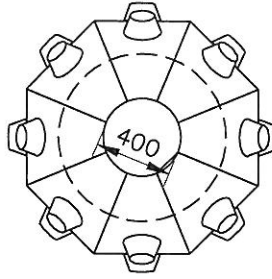
Round FabricAir® Combi 85

Duct Color: FabricAir Green 3007

Flowmodel: JetFlow, two nozzles Size 5 each at 1:30, 3:00, 4:30, 6:00, 7:30, 9:00, 10:30 and 12 o'clock,


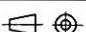
upper row 7° over horizontal, lower row 25° below horizontal

Suspension: None, except bulb reinforcement on inlet edge.



NOTES:

TYPICAL FOR ALL FABRIC DUCT, FLOWMODEL
CLOCK POSITION IS FROM INLET SIDE OF DUCT,
LOOKING IN DIRECTION OF AIRFLOW.

 Islandsvej 3 DK-4681 Herfølge Tlf +45 56 65 21 10 Fax +45 56 65 99 07	Drawing title		Int	Date
	ALINDAIR			20-05-2013
	Project YASAM MÜHENDISLIK		Scale	Size
	FabricAir rep FabricAir		NTS	A1
This document is the property of FabricAir A/S Subject is confidential. Do not reproduce, copy or show to any third party without the permission from FabricAir A/S	Projection		Revision	Revision date
			Drawing no 1465272-120	