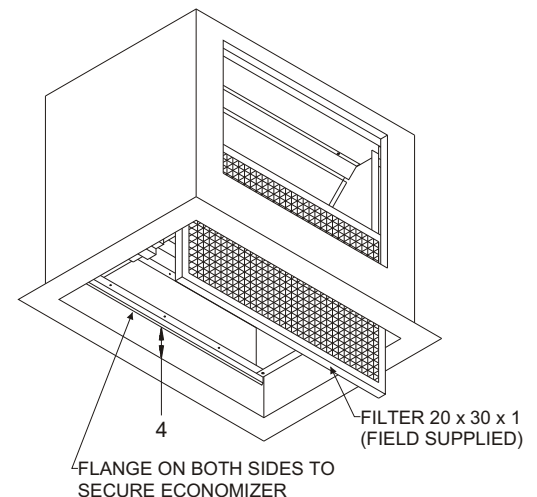
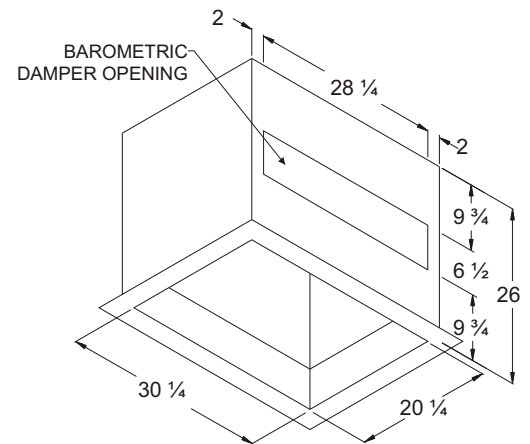
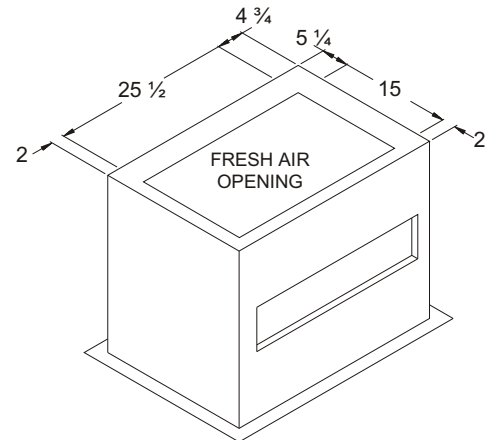
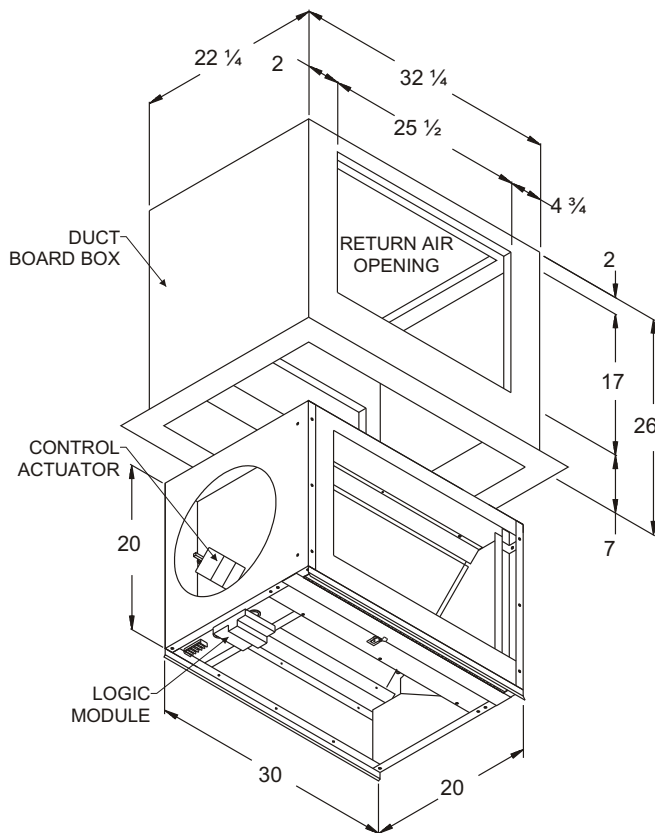


**RSI MODEL# 01-424-01
RESIDENTIAL ECONOMIZER**

Ruskin Rooftop Systems "Cool-Free" is designed to meet all engineering specifications. All of the controls are wired and mounted and all of the damper linkage is installed. No field linkage adjustments are required.

Standard features include:

1. Heavy gauge construction.
2. Fully insulated with 1" duct board box
1.5" lb. density.
3. Factory wired and tested.



RSI control systems feature the new Honeywell solid state control actuators and enthalpy control. The option for differential (dual) enthalpy is also available. This will allow the use of either return air or outside air (whichever is coolest) to cool the space.

RSI MODEL#	DESCRIPTION
01-424-01	Modulating Control
01-424-01D	Modulating Control w/ Differential Enthalpy Control